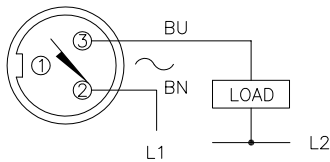
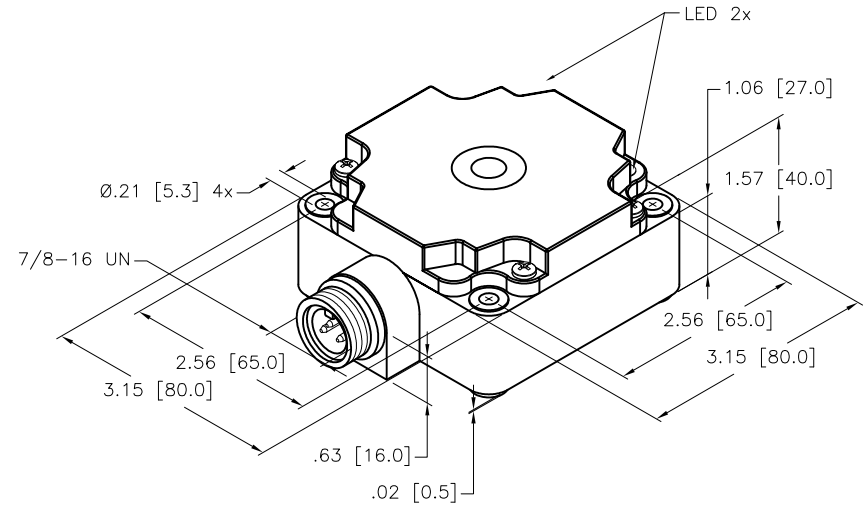


OPERATING VOLTAGE .....	2-WIRE AC/DC, 20-250 VAC/VDC
OUTPUT FUNCTION.....	CONNECTION PROGRAMMABLE
EMBEDDABLE .....	NO
RATED OPERATING DISTANCE.....	40 mm
APPROVAL OR CERTIFICATION.....	CSA (C US), CE
SHORT-CIRCUIT PROTECTION.....	NO
WELD-FIELD IMMUNITY.....	NO
SWITCHING FREQUENCY.....	20 Hz
LINE FREQUENCY.....	40-60 Hz
DIFFERENTIAL TRAVEL <HYSTERESIS>.....	3-15% (5% TYPICAL)
VOLTAGE DROP ACROSS CONDUCTING SENSOR.....	≤7.0 V AT 500 mA
CONTINUOUS LOAD CURRENT.....	≤500 mA
OFF-STATE <LEAKAGE> CURRENT.....	≤1.7 mA
MINIMUM LOAD CURRENT.....	≥5.0 mA
INRUSH CURRENT.....	≤8.0 A (≤10 ms, 5% DUTY CYCLE)
TIME DELAY BEFORE AVAILABILITY.....	≤80 ms
POWER-ON EFFECT.....	PER IEC 947-5-2
TRANSIENT PROTECTION.....	PER EN 60947-5-2
OPERATING TEMPERATURE.....	-25°C TO +70°C (-13°F TO + 158°F)
SHOCK.....	.30 g, 11 ms
VIBRATION.....	55 Hz, 1 mm AMPLITUDE (ALL 3 PLANES)
REPEATABILITY.....	≤2% OF RATED OPERATING DISTANCE
NUMBER OF LEDS.....	2
LED FUNCTION <RED>.....	OUTPUT ENERGIZED
LED FUNCTION <GREEN>.....	POWER ON
ENCLOSURE.....	MEETS NEMA 1,3,4,6,13, AND IEC IP 67
CONNECTION.....	3-PIN minifast CONNECTOR
CONNECTOR MATERIAL.....	CHROME-PLATED BRASS
HOUSING MATERIAL.....	PBT-GF30-V0 PLASTIC
TERMINAL CHAMBER COVER MATERIAL.....	TROGAMID T



CAUTION! NOT SHORT-CIRCUIT PROTECTED. AN ELECTRICAL SHOCK HAZARD EXISTS INSIDE OF TERMINAL CHAMBER-STYLE SENSORS WHENEVER POWER IS APPLIED. REMOVE ALL POWER TO THE SENSOR WHENEVER SENSOR WIRING IS EXPOSED.

SOURCE DRAWING - FOR REFERENCE ONLY

NOTE: ALL DIMENSIONAL TOLERANCES ±1.0 mm.

RELATED DOCUMENTS		3RD ANGLE PROJECTION		THIS DRAWING IS CONFIDENTIAL AND THE PROPERTY OF TURCK INC. USE OF THIS DOCUMENT WITHOUT WRITTEN PERMISSION IS PROHIBITED.		 3000 CAMPUS DRIVE MINNEAPOLIS, MN 55441 1-800-544-7769 (763) 553-7300 (763) 553-0708 fax www.turck.us	
1.			DRFT	CBM	DATE	DESCRIPTION	
2.			APVD		09/13/00	NI40-CP80-FZ3X2-B1131	
3.		ALL DIMENSIONS DISPLAYED ON THIS DRAWING ARE FOR REFERENCE ONLY	UNIT OF MEASUREMENT			IDENTIFICATION NO.	
4.			<b>INCH [ MILLIMETER ]</b>			1341590	
MATERIAL		CONTACT TURCK FOR MORE INFORMATION	DO NOT SCALE THIS DRAWING			REV	
FINISH						C	
C	UPDATE ID NUMBER PER HARMONIZATION PROJECT	CBM	11/06/17			FILE: 1341590	
REV	DESCRIPTION	BY	DATE	ECO NO.		SHEET 1 OF 1	